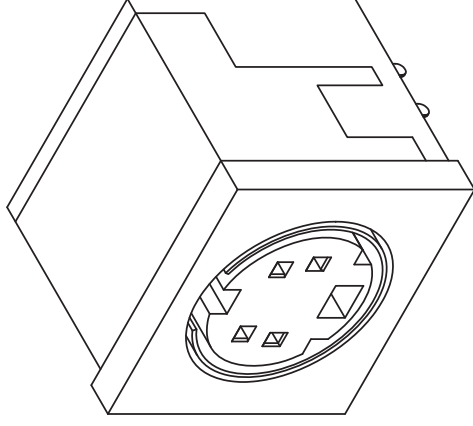
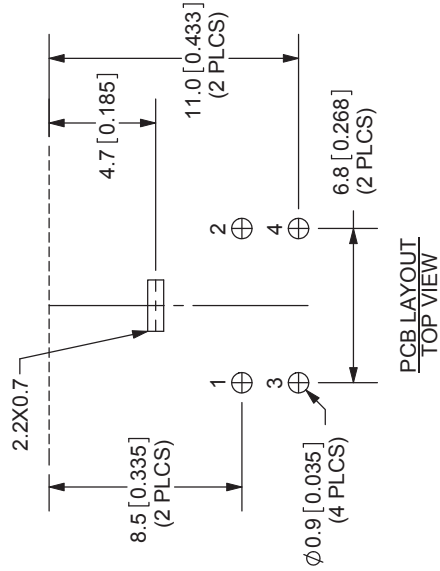
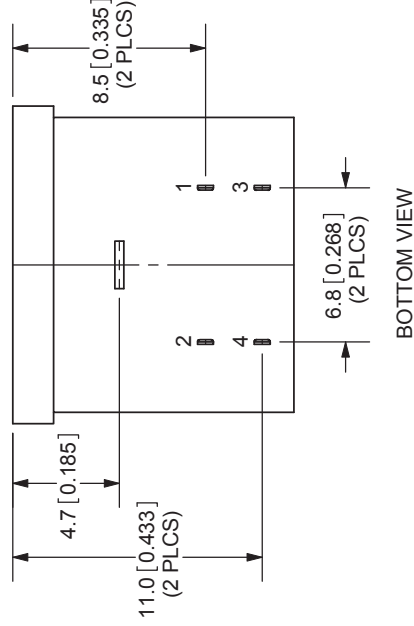
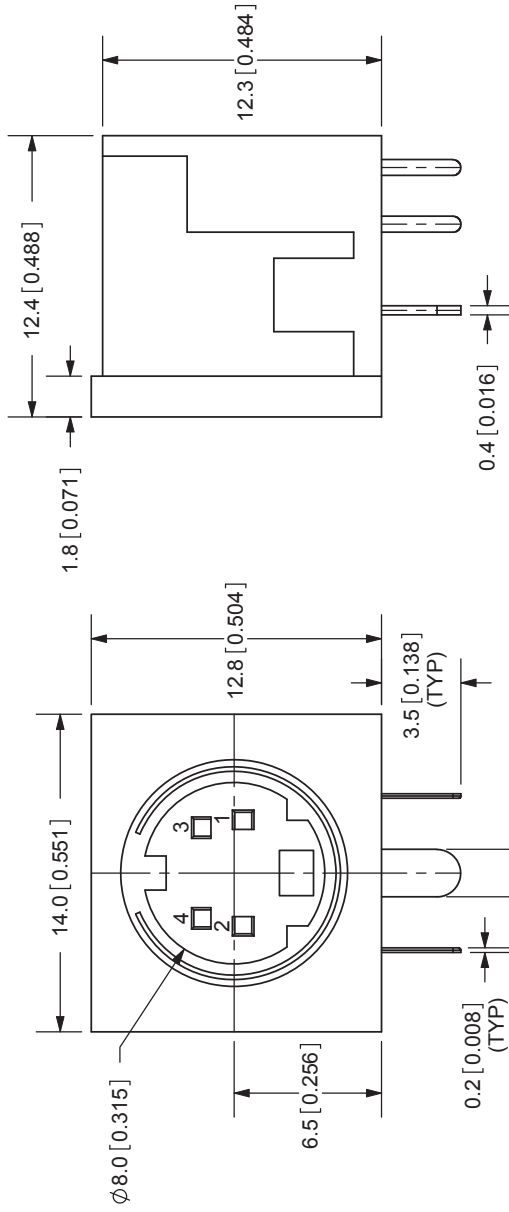


REV.	DESCRIPTION	DATE
A	NEW DRAWING	12/21/2005
B	updated drawing	6/10/2008
C	added PCB hole diameter	3/18/2009



TOLERANCE:  
±0.3mm UNLESS OTHERWISE  
SPECIFIED



**CUI INC**

20050 SW 112th Ave.  
Tualatin, OR 97062  
Phone: 503-612-2300  
800-275-4899  
Fax: 503-612-2383  
Website: www.cui.com

TITLE: MINIATURE CIRCULAR DIN CONNECTOR	REV: C
PART NO: MD-40S	UNITS: MM [INCHES]
DRAWN BY: ZRJ	APPROVED BY:
	SCALE: 3:1

**SPECIFICATIONS:**  
 RATING: 12V DC @ 2A; 100V AC @ 1A  
 CONTACT RESISTANCE: 30m OHMS MAX  
 INSULATION RESISTANCE: 50M OHMS MIN; 250V DC  
 VOLTAGE WITHSTAND: 250V AC R.M.S. FOR 1 MINUTE  
 INSERTION FORCE: 4.5KG MAX  
 WITHDRAWAL FORCE: 0.8KG~3.0KG  
 LIFE: 5,000 CYCLES  
 OPERATING TEMP: -40° ~ +85°C

CONTACT TERMINALS (1-4)	MATERIAL	PLATING
EARTH TERMINAL	Phosphor Bronze	Silver
HOUSING	Brass	Tin
	PBT	